

# Aerosol Extinguisher

for extinguishing systems



Dynamit Nobel Defence

## Technical Data Sheet

Aerosol Fire Extinguishing Generator

Dynameco 200-PA01

CE-0589

Registry Number: 0589-P1-0074

ID-Number: BAM-P1-0074



# Aerosol Extinguisher

for extinguishing systems

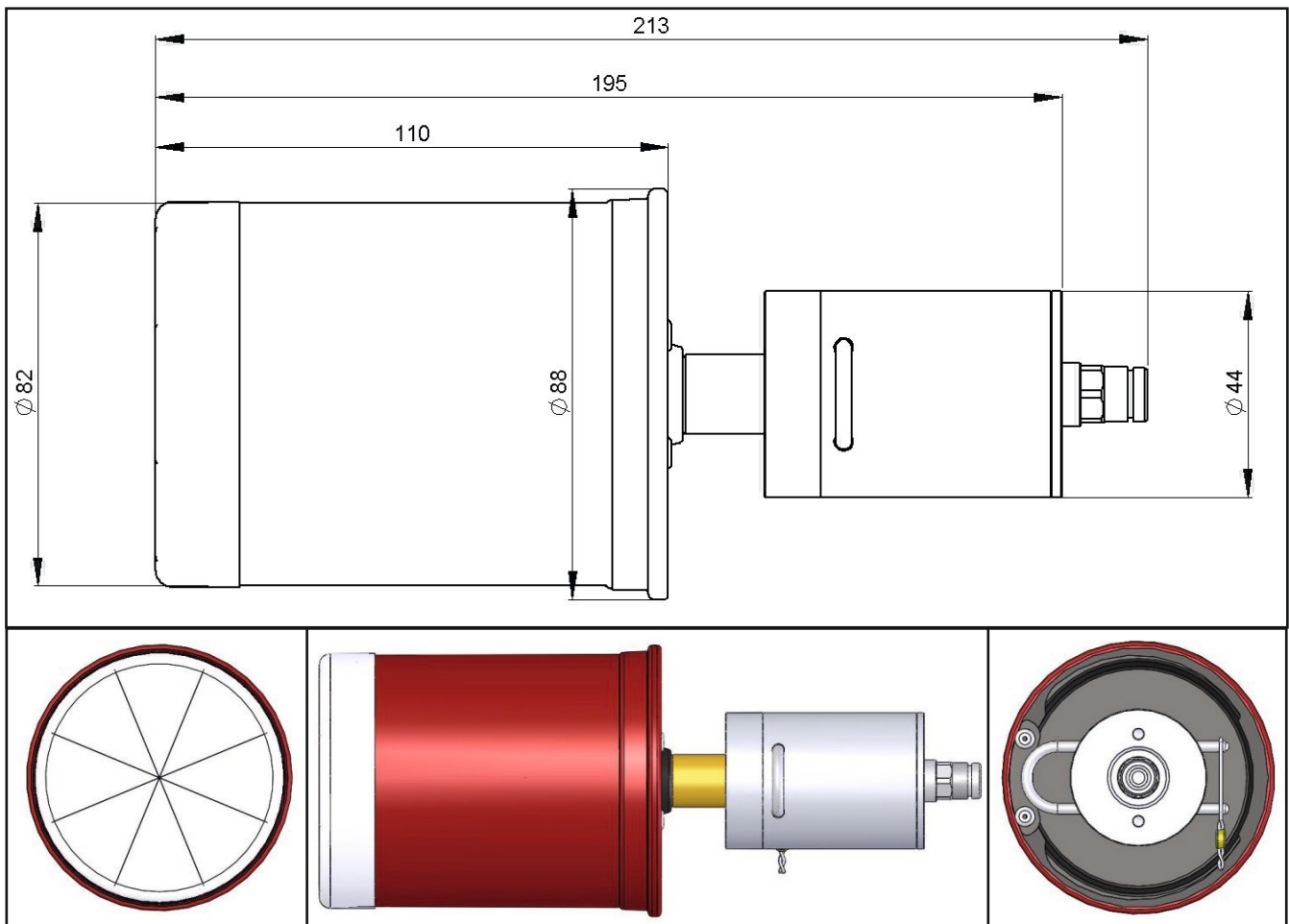
## Intended Purpose:

Aerosol-Generator for fire suppression by filling areas or directed fire extinction of individual objects.

## Operation:

Release of aerosol extinguishing agent after electrical activation

## Dynameco 200 - PA01



# Aerosol Extinguisher

for extinguishing systems



*Dynamit Nobel Defence*

## **SPECIFICATIONS:**

Dimensions:	H = 110 / 213 mm (with/without trigger) D = 82 mm
Total weight:	~ 1.17 kg
Typical extinguishing volume:	max. 2.0 m <sup>3</sup>
AEROSOL exhaust time:	~ 5 s

## **SYSTEM-SPECIFIC DATA:**

Sensor hose to be used:	FiWaGuard-Sensor hose-HR (black) Internal diameter: 4mm; External diameter: 6mm
System pressure:	nominal: 15 bars maximum: 20 bars
Start of effect:	immediately after activation of pneumatic trip system
Storage:	Cool and dry
Generator operating temperature:	-40 °C to max. 85 °C
Approval mark – extinguishing agent:	PL-4/97 / Aerosol extinguishing agent.
Fire class:	A, B, F (limited) und C on DIN EN2

## **APPLICATION-SPECIFIC DATA:**

Durability:	5 years
Shelf life:	10 years
Note:	All product-specific instructions for use and installation must be observed