

Aerosol Extinguisher

for extinguishing systems



Dynamit Nobel Defence

Technical Data Sheet

Aerosol Fire extinguishing Generator

Dynameco 2000-E03

CE-0589

Registry Number: 0589-P1-000116
ID-Number: BAM-P1-0074



Intended Purpose:

Aerosol-Generator for fire suppression by filling areas or directed fire extinction of individual objects.

Operation:

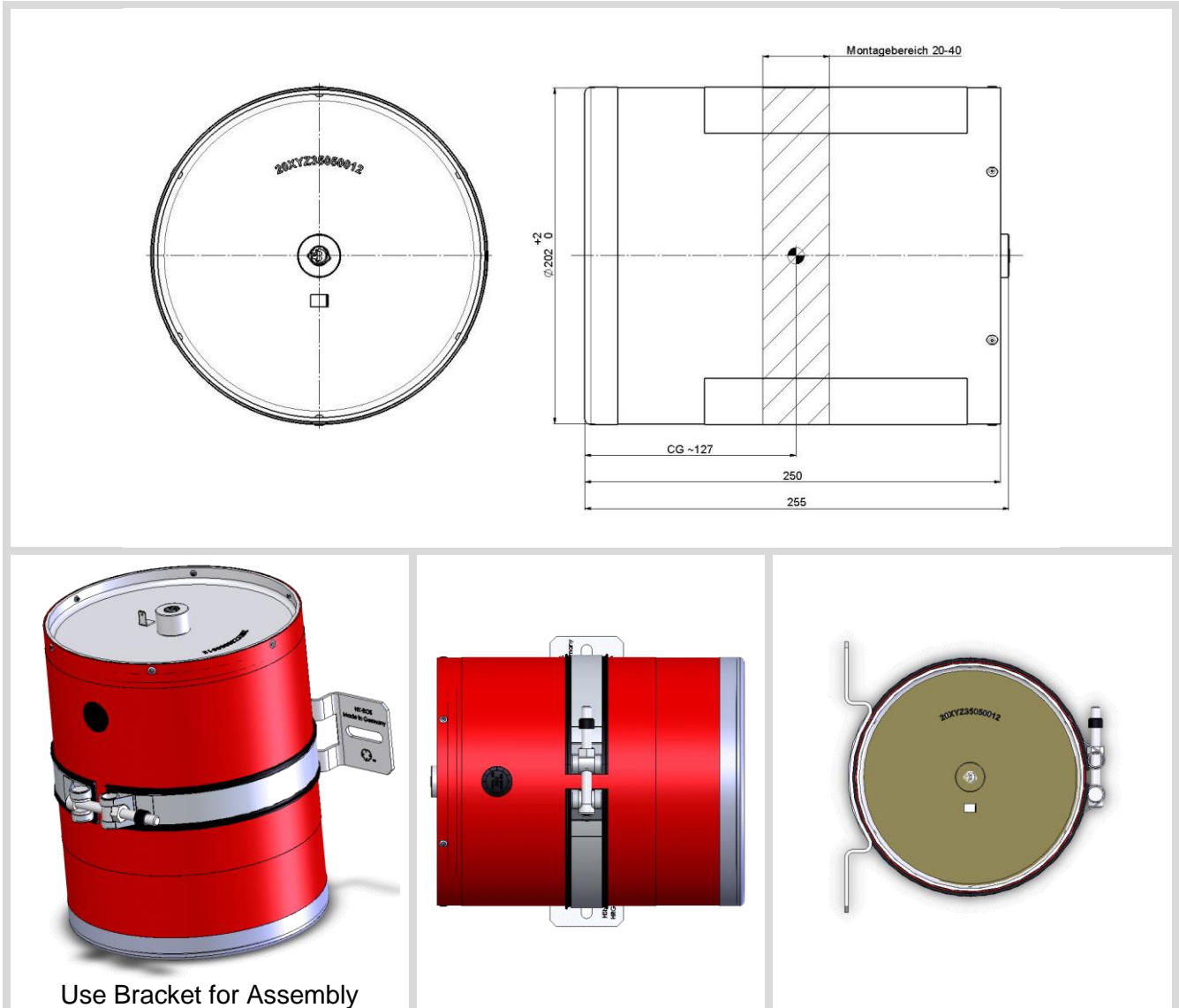
Release of aerosol extinguishing agent after electrical activation

Dynamit Nobel Defence GmbH • Dr.-Hermann-Fleck-Allee 8 • 57299 Burbach • Germany
info@dynameco.com • www.dynameco.com • www.dnd-fireprotection.com
further technical details on request • subject to change without notice • Version: SEP 2019

Aerosol Extinguisher

for extinguishing systems

Assembling:



Use Bracket for Assembly

SPECIFICATIONS:

Dimensions:	H = 255 mm – D = 202 mm
Total weight:	~ 7.53 kg
Typical extinguishing volume:	max. 20 m ³
AEROSOL exhaust time:	~ 12 s

Aerosol Extinguisher

for extinguishing systems

Application Specific Data

Response characteristic:	without significant delay ($\leq 0,7$ ms) after electrical initiation.
Storage/Shelf Life:	Cool and dry; max. 10 years
Operating temperature:	-40 F (-40°C) to 185 F (+85°C)
CE-type approval:	According Regulation 2007/23/EG
Transport Classification acc. to ADR/RID, IATA und IMDG:	CLASS 9
Approval mark – extinguishing agent:	PL-4/97 / Aerosol extinguishing agent.
Fire class:	A, B, F (limited) and C acc. DIN EN2
Protection class:	IP 67

Interface Specification

Electric Resistance:	$2.0 \pm 0.2 \Omega$ (Bridgewire Resistance)
Testing Current:	Max. 40mA
All-Fire Current:	Electrical Impulse: 1.20 A \rightarrow Pulse Width: ≥ 2 ms 1.75 A \rightarrow Pulse Width $\geq 0,5$ ms
Service Life:	Extinguisher to be replaced after 5 years
Connector Interface:	AK-2 11mm CODE I acc. DIN ISO 19072 e.g. CA 288A 1519 9XXX by AMPHENOL-TUCHEL

Usage:

Handling:	Only by trained persons of more than 18 years of age (depending on national regulations)
Use / Application:	For fire extinguishing systems acc. manual or user instructions.