

# Aerosol Extinguisher

for Fire Suppression Systems

## Technical Data Sheet

Aerosol Fire Extinguishing Generator with thermal activation  
Dynameco 2000-TA08

CE-0589

Registration Number: 0589-P1-000117  
Identification Number: BAM-0854/17



### Advantages / Benefits at a glance:

- Fire detection and extinguishing system all-in
- Independent system solution; no electric power supply necessary: „stand alone“
- Available also in other sizes: 2 m<sup>3</sup> (200-TA) 3 m<sup>3</sup> (300-TA)
- Simple installation and extensive system accessory
- Wide range of possibilities and flexible in different application fields
- System diversity of variants by different requirements in temperature ranges (e.g. 57°, 68°, 79°, 93°C)
- System acceptance and planning reliability by high efficiency and international approvals

With Dynameco -TA08 Dynamit Nobel Defence GmbH complemented the product range in the division of fire extinguishing systems. The product offers a wide range of application in case of total flooding and object suppression. After fire detection by the thermal activator, the fire is suppressed effectively by the approved aerosol generator. By means of this combination the Dynameco is even more effective and efficient. Low weight and space requirements as well as easy installation allow a high flexibility and integration in different applications in active fire protection

### Intended Purpose:

Aerosol-Generator for fire suppression by filling areas or directed fire extinguishing of individual objects.

### Operation:

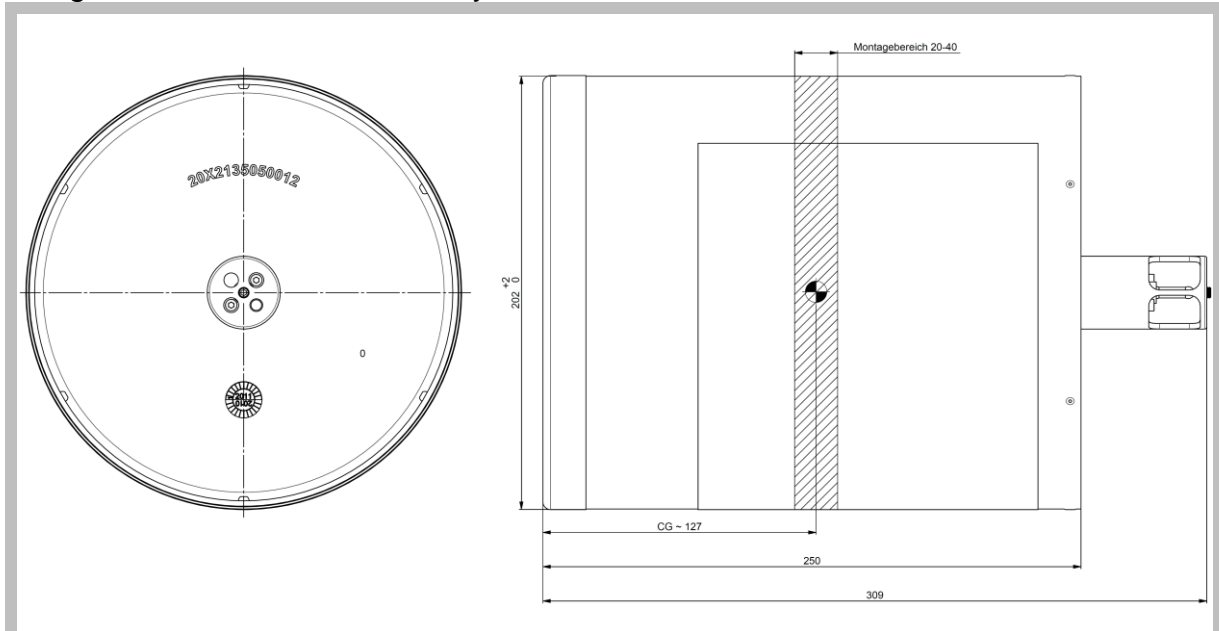
Release of aerosol extinguishing agent after electrical activation

# Aerosol Extinguisher

for Fire Suppression Systems

## Assembling:

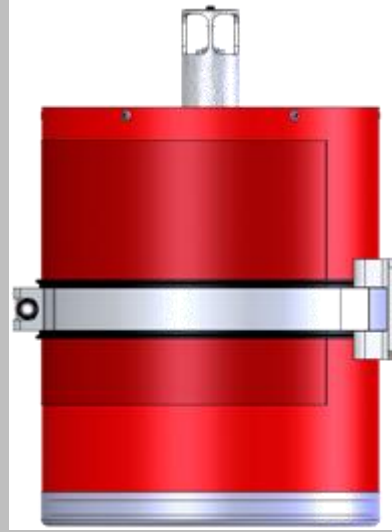
Using Bracket in Center of Gravity:



Assembly Suggestion:



With Bracket



## SPECIFICATIONS:

Dimensions:

H = 250 mm (without activator)

H = 309 mm (incl. activator)

D = 203 mm

Total weight:

~ 7.73 kg (incl. activator)

Typical extinguishing volume:

Max. 20 m<sup>3</sup>

AEROSOL exhaust time:

~ 5 sec.

# Aerosol Extinguisher

for Fire Suppression Systems



*Dynamit Nobel Defence*

## **Application Specific Data:**

Thermal activation temperatures:	Optional: 57°C, 68°C, 79°C or 93 °C (more on request)
Initiation time:	3 seconds after fracture of glass bulb
Storage:	Keep in cool and dry places
Temperature Range:	-40°C up to max. 15° below the thermal activation temperature
CE-type approval:	According to Regulation 2007/23/EG
Transport classification acc. to ADR/RID, IATA und IMDG::	CLASS 9
Approval mark – extinguishing agent:	PL-4/97 / Aerosol extinguishing agent.
Fire class:	A, B, F (limited) and C acc. to DIN EN2
Protection class:	IP67
Service life:	Extinguisher to be replaced after 5 years
Shelf life:	10 years
Handling:	Only by trained and adult persons (depending on national regulations)
Use / Application:	For fire extinguishing systems acc. instruction manual
Note:	Follow the installation instructions