

Technical Data Sheet

Aerosol-Fire Extinguishing Generator: Dynameco 300 – EO2

CE-0589

Registration Nr.: 0589-P1-000116

Identification Nr.: D/BAM-0504/17

UN-Nr.: 3268



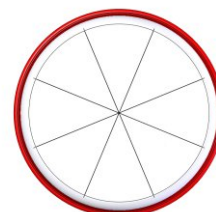
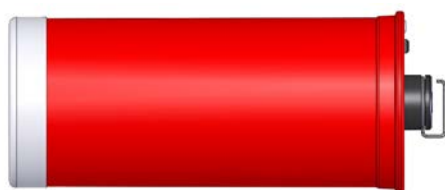
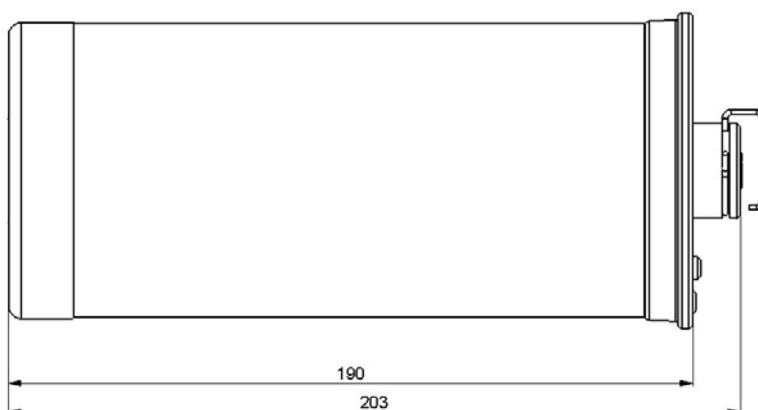
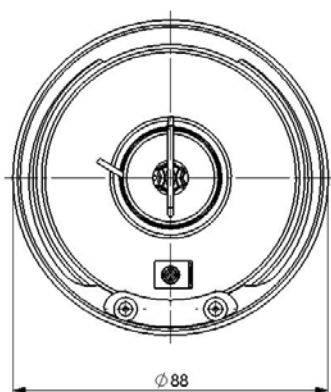
Intended purpose:

Aerosol-fire extinguishing generator to prevent and fight fires by total room flooding and/or object suppression

Operating:

Release of aerosol after electrical activation

Dynameco 300 - EO2



TYPENSPEZIFISCHE DATEN

Dimensions:

H= 203 mm

D= 88 mm

Total weight:

approx. 1,30 kg

Duration of AEROSOL generation:

approx. 7 s

Volume to be protected:

3,0 m³

Dynameco 300 - EO2

SYSTEM SPECIFIC DATA

Electrical ignition (All-Fire Conditions):	1,5 A ; 6ms
Electrical ignition resistance (ambient temperature)	R = 0,45 - 0,7 Ω
Voltage:	24 VDC
Activation:	without significant delay (\leq 0,7 ms)
Storage condition:	cool and dry
Function temperature:	-45 °C up to +85 °C
CE - type approval:	according guideline 2007/23/EG
Approval - agent:	PL-4/97 / Aerosol agent
Fire class:	A, B, F (limited) and C according DIN EN2
Protection class :	IP 54

SERVICE SPECIFIC DATA

Test current:	max. 5 mA
Operation time:	5 years
Shelflive:	10 years
Connector interface:	Amphenol /Airbag CA 252 0246

APPLICATION SPECIFIC DATA

Handling:	Installation only by trained personnel
Usage:	All product-specific instructions for use and installation must be observed