

Technical Data Sheet

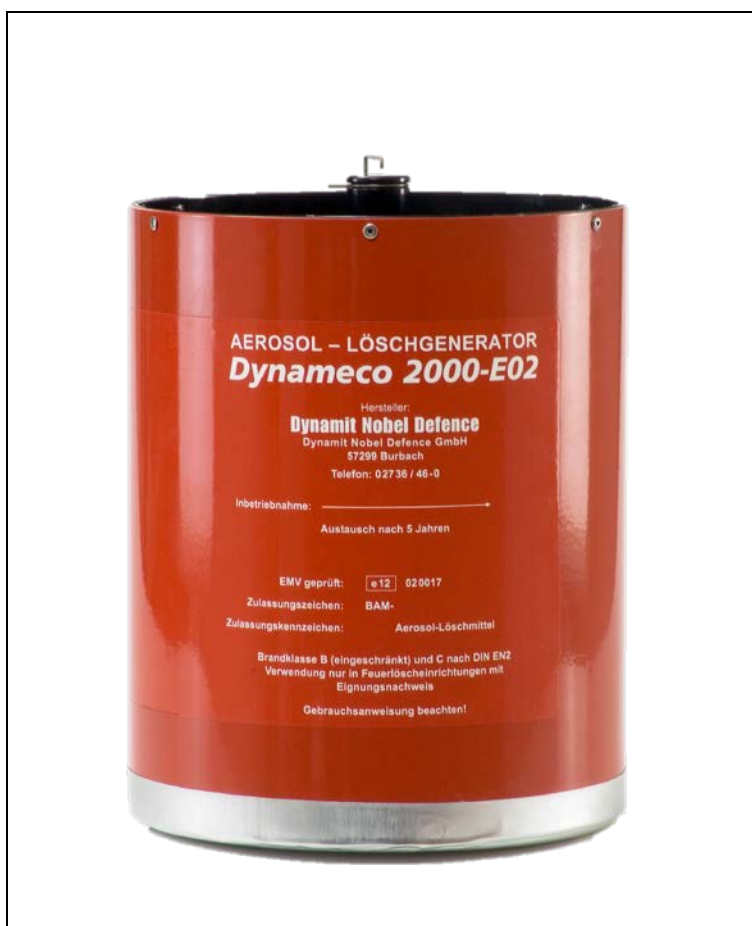
Aerosol-Fire Extinguishing Generator: Dynameco 2000 – EO2

CE-0589

Registration Nr.: 0589-P1-000116

Identification Nr.: D/BAM-0504/17

UN-Nr.: 3268



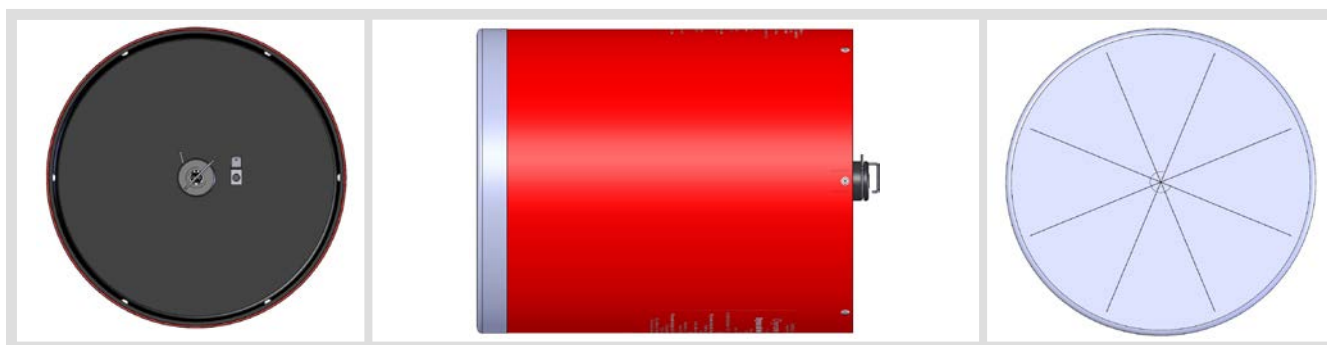
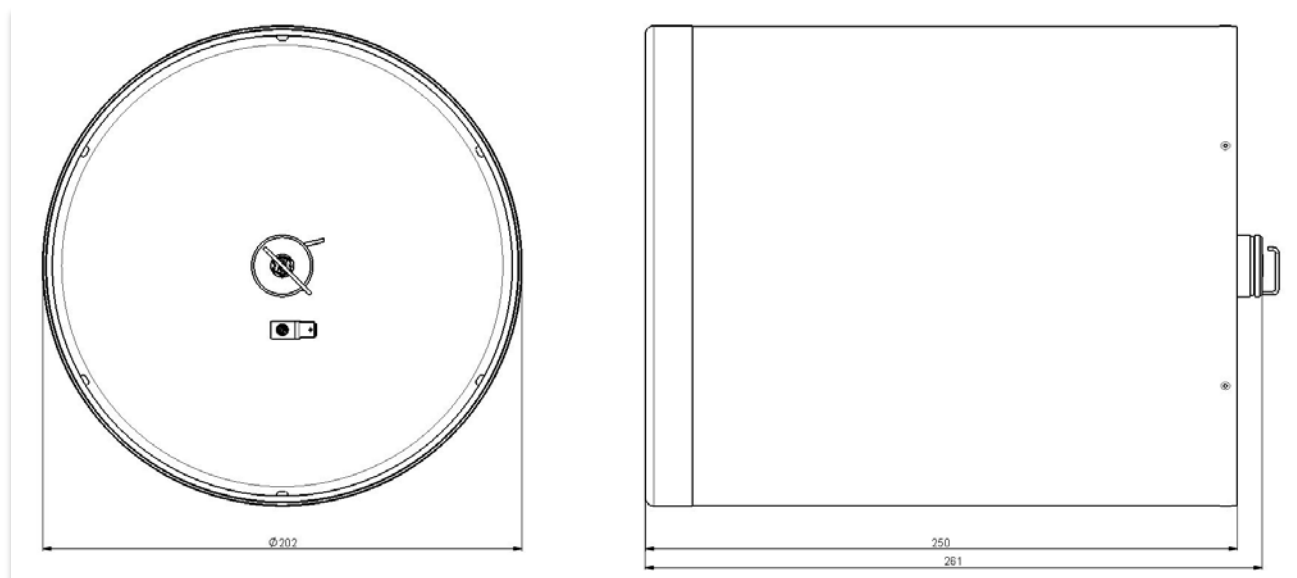
Intended purpose:

Aerosol-fire extinguishing generator to prevent and fight fires by total room flooding and/or object suppression

Operating:

Release of aerosol after electrical activation

Dynameco 2000 - EO2



TYPE-SPECIFIC DATA

Dimensions:

H= 261 mm

D= 202 mm

Total weight:

approx. 7,53 kg

Duration of AEROSOL generation:

approx. 12 s

Volume to be protected:

20,0 m³

Dynameco 2000 - EO2

SYSTEM SPECIFIC DATA

Electrical ignition (All-Fire Conditions):	1,5 A ; 6ms
Elektrical ignition resistance (ambient temperature)	R = 0,45 - 0,7 Ω
Voltage:	24 VDC
Activation:	without significant delay (\leq 0,7 ms)
Storage condition:	cool and dry
Function temperature:	-45°C up to +85°C
CE - type approval:	according guideline 2007/23/EG
Approval - agent:	PL-4/97 / Aerosol agent
Fire class:	A, B, F (limited) and C according DIN EN2
Protection class :	IP 54

SERVICE SPECIFIC DATA

Test current:	max. 5 mA
Operation time:	5 years
Shelflive:	10 years
Connector interface:	Amphenol /Airbag CA 252 0246

APPLICATION SPECIFIC DATA

Handling:	Installation only by trained personnel
Usage:	All product-specific instructions for use and installation must be observed