

## Technical Data Sheet

### Aerosol-Fire Extinguishing Generator: Dynameco 200 – EO2

CE-0589

Registration Nr.: 0589-P1-000116

Identification Nr.: D/BAM-0504/17

UN-Nr.: 3268



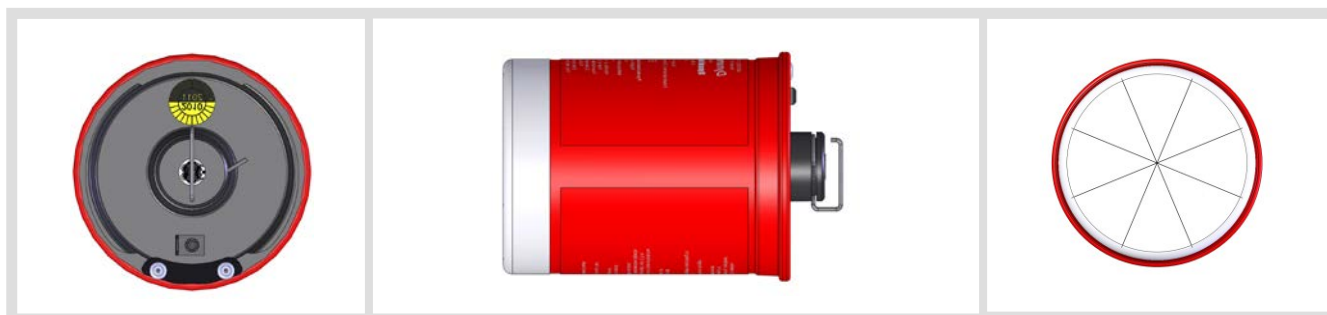
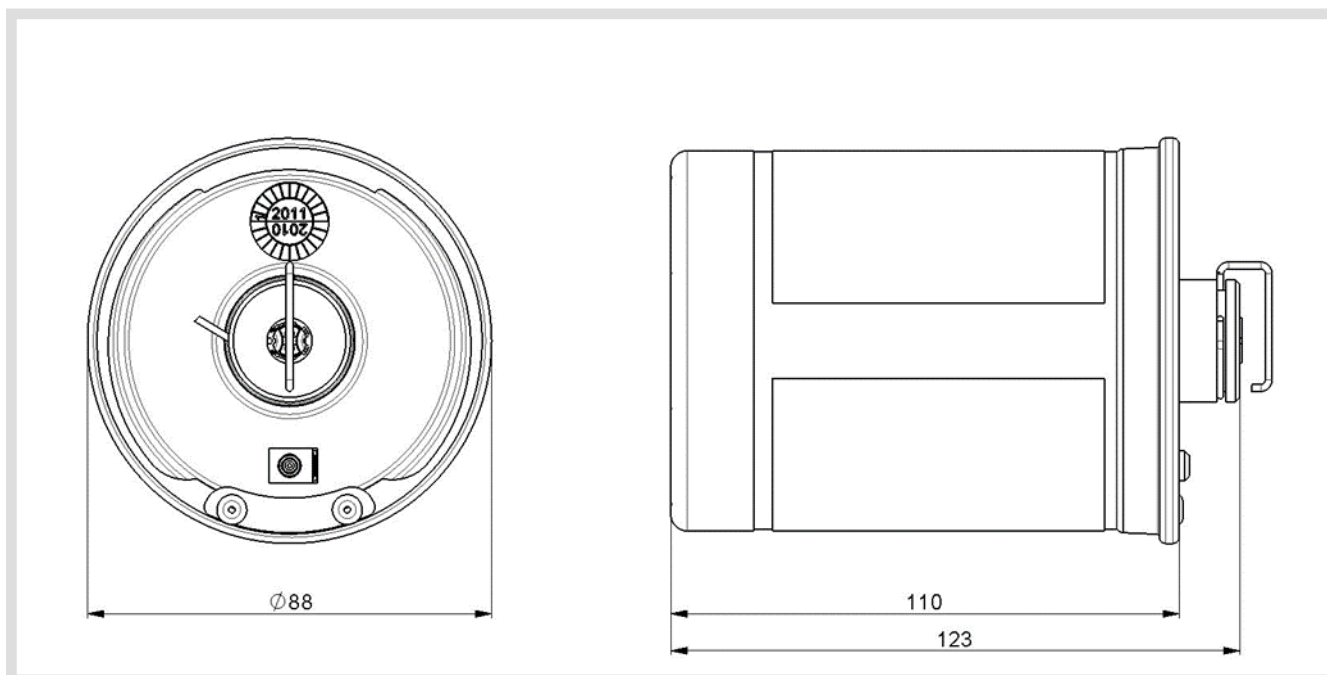
#### Intended purpose:

Aerosol-fire extinguishing generator to prevent and fight fires by total room flooding and/or object suppression

#### Operating:

Release of aerosol after electrical activation

## Dynameco 200 - EO2



### TYPENSPEZIFISCHE DATEN

Dimensions:

H= 123 mm

D= 88 mm

Total weight:

approx. 0,89 kg

Duration of AEROSOL generation:

approx. 5 s

Volume to be protected:

2,0 m<sup>3</sup>

## Dynameco 200 - EO2

### SYSTEM SPECIFIC DATA

Electrical ignition (All-Fire Conditions):	1,5 A ; 6ms
Elektrical ignition resistance (ambient temperature)	R = 0,45 - 0,7 $\Omega$
Voltage:	24 VDC
Activation:	without significant delay ( $\leq$ 0,7 ms)
Storage condition:	cool and dry
Function temperature:	-45 °C up to +85 °C approved for max. 120°C for time period 120 hours
CE - type approval:	according guideline 2007/23/EG
Approval - agent:	PL-4/97 / Aerosol agent
Fire class:	A, B, F (limited) and C according DIN EN2
Protection class :	IP 54

### SERVICE SPECIFIC DATA

Test current:	max. 5 mA
Operation time:	5 years
Shelf live:	10 years
Connector interface:	Amphenol /Airbag CA 252 0246

### APPLICATION SPECIFIC DATA

Handling:	Installation only by trained personnel
Usage:	All product-specific instructions for use and installation must be observed